

CHAIN COUPLING

CHKU-N

KWN 22130



KUDOSWORLD CORPORATION

Website: www.kwdcoupling.com

Add: Orchard Summer Palace, No.209-2 Qingnian Street, Shenhe District, Shenyang City, China 110016

Tel: 0086 (024) 31976438

Fax: 0086(024) 3197 6437

Product | Engineering Services
Maintenance

Chain Coupling



Features

- Chain coupling has a wide range of applications, suitable for high temperature, humidity and dusty working conditions.
- Chain couplings have three important components, which are composed of two half couplings with teeth surfaces, two roller chains and housing. Its features are as follows:
 - The utility model has the advantages of simple structure and convenient disassembly.
 - Installation accuracy is not required.
 - It has a certain compensation effect.
 - Reliable operation and long service life.
- In order to prolong the life of the coupling and prevent grease spillover, please use the cover and O-Ring, especially for the following situation.
 - Easy to corrode and wear.
 - The dotted line part above table 2 is used for high speed rotation.

Designation

CHKU-N - CR-4012

Specification Size Code

Chain Coupling Product Series Code

Dimensions

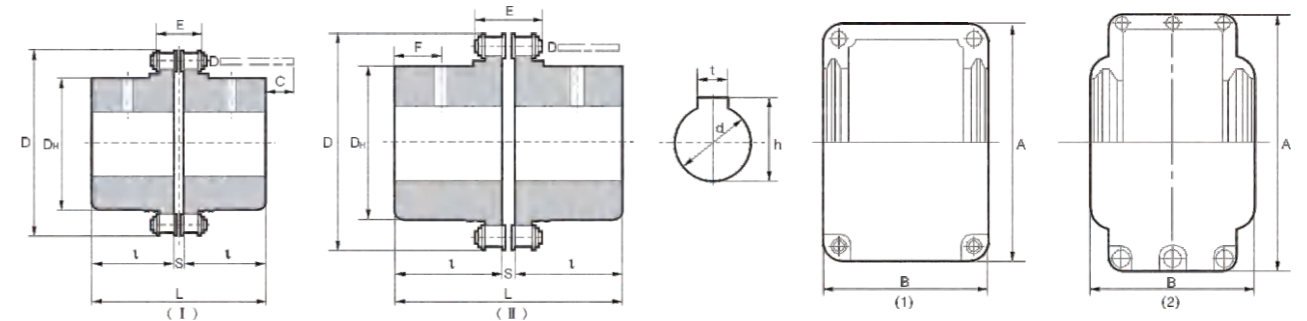


Table 1.

Coupling No.	Type	Bore		Chain		D	D _H	L	t	S	C	Weight (kg)	Case			
		Min	Max	Pitch	WidthMaxE								Type	A	B	Weight(kg)
CR 4012	I	12	22	12.70	33.1	61	35	79.4	36	7.4	10	0.8	1	75	75	0.38
CR 4014	I	12	28	12.70	33.1	69	43	79.4	36	7.4	10	1.1	1	84	75	0.47
CR 4016	I	16	32	12.70	33.1	77	50	87.4	40	7.4	6	1.6	1	92	75	0.56
CR 5014	I	16	35	15.875	41.0	86	53	99.7	45	9.7	12	2.2	1	101	85	0.64
CR 5016	I	18	40	15.875	41.0	96	60	99.7	34	9.7	12	2.8	1	111	85	0.76
CR 5018	I	18	45	15.845	41.0	106	70	99.7	45	9.7	12	3.6	1	122	85	0.92
CR 6018	I	22	56	19.05	51.1	128	85	123.5	56	11.5	15	6.5	1	142	106	1.4
CR 6022	I	28	71	19.05	51.1	152	111	123.5	56	11.5	15	10.3	1	167	106	1.7
CR 8018	I	32	80	25.40	65.3	170	115	141.2	63	15.2	30	13.8	1	186	130	2.3
CR 8022	I	40	100	25.40	65.3	203	140	157.0	71	15.2	22	21.7	1	220	130	2.7
CR10020	I	45	110	31.75	80.3	233	160	178.8	80	18.8	30	32.6	1	250	148	4.0
CR12028	I	50	125	38.10	101.1	256	170	202.7	90	22.7	50	43.9	2	307	181	6.8
CR12022	I	56	140	58.10	101.1	304	210	222.7	100	22.7	40	69.0	2	357	181	8.4
CR16018	I	63	160	50.80	129.7	341	224	254.1	112	30.1	68	96.3	2	406	250	14.7
CR16022	I	80	200	60.80	129.7	405	280	310.1	140	30.1	40	166.8	2	472	250	17.2
CR20018	II	88	205	63.50	159.0	426	294	519.5	241	37.5	0	294.4	2	496	280	22.2
CR20022	II	98	260	63.50	159.0	507	274	519.5	241	37.5	0	461.6	2	578	280	26.6
CR24022	II	120	310	76.20	194.9	608	420	751.1	353	45.1						
CR24026	II	150	380	76.20	194.9	705	520									

Rated load

Table 2.

Coupling No.	Max Bore Dia (mm)	Allowable Drive Torque at less than 50rpm(kg·m)	Revolution per minute																							
			1	5	10	25	50	100	200	300	400	500	600	800	1000	1200	1500	1800	2000	2500	3000	3600	4600	4800	5200	6000
CR 3812	16	10.2	0.01	0.05	0.11	0.26	0.52	0.79	1.21	1.58	1.89	2.26	2.58	3.19	3.88	4.41	5.35	6.25	6.73	8.12	9.44	11.0	12.0	14.0	14.8	16.7
CR 4012	22	22.2	0.02	0.11	0.22	0.58	1.15	1.73	2.63	3.46	4.15	4.96	5.67	7.01	8.53	9.68	11.6	13.7	14.8	17.9	20.7	24.1	26.3	30.8		
CR 4014	28	30.2	0.03	0.16	0.32	0.79	1.58	2.36	3.59	4.72	5.66	6.77	7.72	9.56	11.64	13.21	15.8	18.7	20.2	24.4	23.3	32.9	35.9	42.1		
CR 4016	32	39.4	0.04	0.21	0.41	1.03	2.06	3.09	4.69	6.17	7.41	8.85	10.1	12.5	15.3	17.3	21.0	24.4	26.3	31.9	37.0	43.0	46.9	54.9		
CR 5014	35	57.4	0.06	0.30	0.60	1.50	3.00	4.48	6.80	8.95	10.7	12.8	14.7	18.1	22.1	25.1	30.0	35.4	39.3	46.2	53.6	62.4				
CR 5016	40	75.0	0.08	0.39	0.78	1.95	3.91	5.86	8.92	11.7	14.1	16.8	19.2	23.8	28.9	32.9	39.9	46.4	50.0	60.6	70.4	81.6				
CR 5018	45	95.0	0.10	0.50	0.99	2.48	4.95	7.43	11.3	14.9	17.8	21.3	24.4	30.1	36.6	41.8	50.5	58.8	63.4	76.8	89.2					
CR 6018	56	179	0.18	0.93	1.87	4.67	9.33	14.0	21.3	28.0	33.6	40.1	45.9	56.8	69.1	78.4	96.2	111	120	145						
CR 6022	71	242	0.25	1.25	2.51	6.31	12.5	18.8	28.6	37.7	45.3	54.1	61.9	76.5	93.1	105	128	149	161	195						
CR 8018	80	396	0.41	2.07	4.14	10.3	20.7	31.0	47.2	62.1	74.5	89.0	101	112.6	153	174	211	246	265							
CR 8022	100	570	0.59	2.96	5.93	14.8	29.6	44.5	67.2	89.0	106	127	146	130	219	249	302	352	379							
CR10020	110	896	0.93	4.66	9.33	23.3	46.6	70.0	106	140	168	200	229	283	345	392	476	554								
CR12018	125	1,350	1.40	7.02	14.0	35.1	70.2	105	160	210	252	302	345	426	519	590	716									
CR12022	140	1,750	1.81	9.07	18.1	45.3	90.7	136	206	272	326	390	446	551	671	762										
CR16018	160	2,920	3.03	15.1	30.3	75.8	151	227	345	455	546	652	764	922	1122											
CR16022	200	4,260	4.43	22.1	44.3	110	221	333	506	665	799	954	1090	1350	1640											
CR20018	205	5,820	6.06	30.3	60.6	151	303	454	691	909	1090	1300	1490	1840												
CR20022	260	7,340	7.63	38.2	76.3	191	382	572	871	1140	1370	1640	1880													
Type of luricayon							I	II	III																	

Remarks: 1) Lubrication cycle: once a week, need oil injection casing.
 2) The right side of dashed line in the upper table is high-speed area, which requires relatively high installation accuracy.